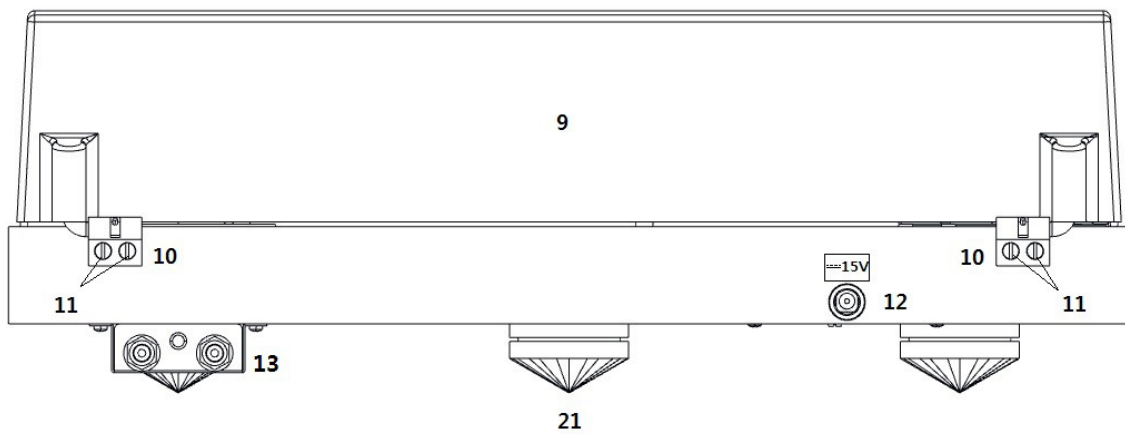
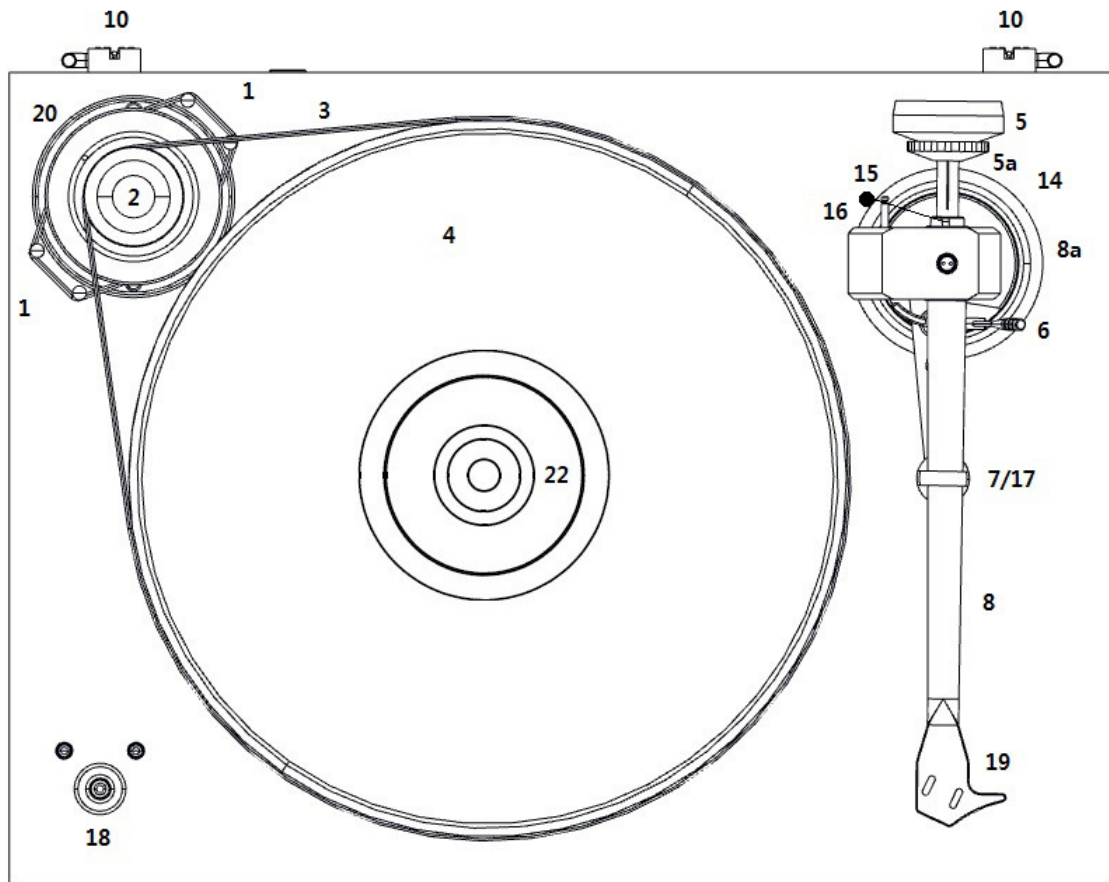




INSTRUCTIONS FOR USE
Pro-Ject 2 **X**perience SB DC



Pro-Ject 2 Xperience SB DC

Controls, features and connections

- 1 Motor transport foam inserts
- 2 Motor pulley
- 3 Drive belt *
- 4 Sandwich platter *
- 5 Tonearm counterweight * 5a Downforce scale
- 6 Tonearm lift lever
- 7/17 Tonearm rest and removable transport lock
- 8 Tonearm tube 8a Tonearm base
- 9 Lid *
- 10 Lid hinges
- 11 Hinge fasteners
- 12 Power supply socket
- 13 Phono output sockets and earth connection
- 14 Anti-skating stub with anti-skating weight adjustment scale
- 15 Anti-skating weight *
- 16 Anti-skating weight support
- 18 Power switch
- 19 Headshell with finger lift and optional fitted cartridge Ortofon 2M Silver
- 20 Motor
- 21 Adjustable tip-toe feet with anti-scratch cups *
- 22 Screw-down record clamp *
- Connection cable (not shown) *
- Universal power supply (not shown) *
- Single adapter (not shown) *

Dear music lover,

thank you for purchasing a Pro-Ject Audio System's record player.

In order to achieve maximum performance and reliability with this record player you should study these instructions for use carefully.



Warning of a hazard for the user, the unit or possible misuse.



Important notice.

The record player is supplied without cartridge or with a factory fitted and adjusted cartridge Ortofon 2M SILVER.

** The following instructions for adjusting the cartridge are provided in case the cartridge is replaced by a different model at a later date.

During assembly and adjustment of the deck small parts could be lost if not carefully placed in a suitable receptacle. Before starting assembly make yourself acquainted with the parts listed above and correspondingly numbered in the technical drawings above. Separately packed items are marked with an asterisk *.

Safety instructions

The power supply is used to connect and disconnect the unit from the mains. Make sure that the plug is easily accessible at all times. Hold the plug when unplugging the power cord. Never handle the power cord while your hands are wet or damp.



Avoid letting liquids enter the device. Never place any item containing liquid, such as a flower vase on or near the device. Never spill any liquid on the device. Never place any naked flame sources, such as lighted candles on or near the device. The product shall not be used in damp or wet locations, next to a bathtub, sink, swimming pool or any other similar conditions.

Keep plastic bags away from children to prevent any risk of suffocation.

Set-up

The deck is supplied partially disassembled and carefully packaged for safe transport. Carefully remove all parts from the transport packaging.

Screw the three feet (21) onto the threaded bolts located on the underside of the plinth. Make sure the surface you wish to use the turntable on is level (use a spirit level) before placing the turntable on it.

Remove the two motor transport foam inserts (1) which secure the motor (20) during transportation. Carefully place the platter bearing housing over the bearing axle. Level the plinth using a spirit level and the adjustable feet (22).

Fit the drive belt (3) around the platter (4) and the motor pulley (2). Avoid getting sweat or grease on the belt as these will deteriorate the performance and reduce the belt's lifespan. Use absorbent kitchen paper to remove any oil or grease from the outer edge of the platter and the belt.

Remove the transport lock (17) from the tonearm. Store it together with the two motor transport foam inserts (1) in the original packaging so they are available for any future transportation.



Please note: We recommend to use the record player without a mat on the platter.

Cartridge downforce adjustment

The counterweight (5) supplied is suitable for cartridges weighing between 5 – 7,5g (counterweight no. **28**). Alternative counterweights for cartridges weighing between 10 - 14g (no. **29**), 7 - 10g (no. **46**), are available as accessory parts.

Pushing carefully, turn the counterweight (5) onto the rear end of the tonearm tube (9), so that the downforce scale (5a) shows towards the front of the player. Lower the armlift and position the cartridge in the space between arm rest and platter. Carefully rotate the counterweight (5) until the armtube balances out. The arm should return to the balanced position if it is moved up or down. This adjustment must be done carefully. Do not forget to remove the cartridge protection cap if fitted.

Once the arm is correctly balanced return it to the rest. Hold the counterweight (5) without moving it, and gently revolve the downforce scale ring (5a) until the zero is in line with the anti-skating stub (14). Check whether the arm still balances out.

Rotate the counterweight counter clockwise (seen from the front) to adjust the downforce according to the cartridge manufacturer's recommendations. One mark on the scale represents 1 mN (= 0,1g / 0,1 Pond) of downforce.

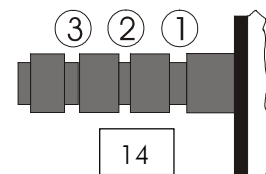


*Please note: Adjust the downforce prior to installing the anti-skating weight.
The recommended downforce for the factory fitted cartridge is **18mN**.*

Anti-skating force adjustment

The anti-skating force must be adjusted corresponding to the downforce as follows:

| Downforce | Groove in the stub (15) |
|-----------------|------------------------------------|
| 10 - 14mN | 1 st from bearing rings |
| 15 - 19mN | 2 nd " " " |
| 20mN and bigger | 3 rd " " " |



Hang the loop of the thread of the anti-skating weight in the groove of the anti-skating stub (14) corresponding to the downforce applied to your cartridge and feed the thread through the loop of the wire support (16).

Connection to the amplifier

The record player has gold plated female RCA phono sockets (13) so you can substitute the interconnect cables supplied with higher quality cables such as the **Pro-Ject Connect it** interconnect cables for connection to the amplifier if you wish. Use the Phono input (sometimes labelled gram, disc or RIAA) on your amplifier. Make sure that the phono input offers correct matching and amplification for the type of cartridge used. Line inputs (such as CD, Tuner, Tape or Video) are not suitable.

Take care to connect the left and right channels correctly. The right channel is usually marked red, the left channel black or white. Check the manual supplied with your amplifier for relevant information. An earthing wire may be connected to the screw terminal between the sockets if you encounter hum problems when using the record player.

If your amplifier does not have an input suitable for phono cartridges you will require a separate phono amplifier stage for MM or MC cartridges which is then connected between the record player and a free line level input of the amplifier.

For detailed product information regarding Pro-Ject Audio interconnect cables and phono amplifiers please refer to the Pro-Ject website www.project-audio.com.



*The recommended load impedance for the factory fitted cartridge is: **47kohms/MM-input***

Mains power connection

The turntable is supplied with the universal power supply with 3 exchangeable sockets adapters suitable for all countries. Select the correct adapter for your country and insert the adapter to the exchangeable part of the power supply.

Connect the low voltage plug from the power supply to the socket (12) on the rear of the record player before connecting the power supply to the mains.

Fitting the lid

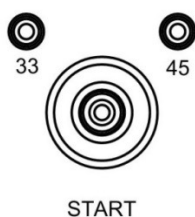
Fit the lid (dust cover 9) carefully over the hinge prongs and adjust the screws (11) until the lid stays open where you want it to without being too stiff to open or close.

Switching on and off

Press the button **START** to start the turntable. For change the speed from 33 r.p.m. to 45 r.p.m., please press the START button again. Speed is correct, when the LED diode stops blinking. To switch turntable to STAND BY mode, please hold the button START for 3 seconds.



For detailed product information please refer to the Pro-Ject web site www.project-audio.com.



Playback of vinyls

Remove stylus guard from cartridge (19). Start motor for platter rotation.

Carefully move Headshell with finger lift (19) to lead-in groove of record. Move tonearm lift lever (6) to down position. Adjust amplifier volume to desired level.



*Amplifier input should be set to **Phono** position. If a **Tape-Monitor** functionality is available, only activate when recording unit is switched on.*

Useful tips

The lid is not only a dust cover but also a resonant structure likely to be excited by, and to pass into the plinth, the acoustic energy emanating from your loudspeakers during replay. It is therefore recommended that the lid be removed for optimum sound quality.

The record player should be positioned on a low-resonance surface such as wood or multiple layer ply board to avoid structural vibrations disturbing replay.

Adjusting the vertical tracking angle (vta)

** Put a record on the platter. When the needle is lowered into the record groove and the tonearm is not resting on the lift arm, the tube of the tonearm should be parallel to the surface of the record.

If this is not the case, loosen both screws in the tonearm base just enough to allow vertical movement of the arm pillar without force and slide the arm up or down until it is parallel.

Carefully retighten the screws without applying excessive force (which would deform the arm pillar) – finger tight is quite sufficient.

Adjusting the azimuth

** The cartridge needle must be vertical in the record groove in order to trace the groove wall modulations correctly.

A small screw at the bearing end of the arm allows incorrect azimuth to be corrected if your needle is not mounted exactly perpendicular to the cartridge body (which is often the case).

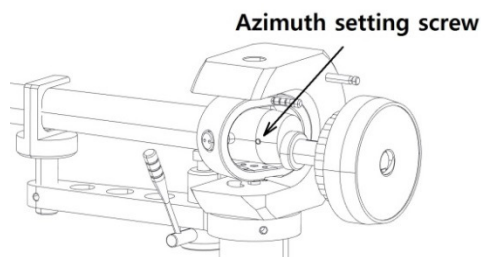
Slacken off the screw just enough to be able to revolve the arm tube without applying force. Please note: do not remove the screw completely!

With the aid of a good magnifying glass adjust the needle until it is vertical in the groove (i.e. perpendicular to the record's surface). Ideally this should correspond to the top surface of the cartridge body being parallel to the record surface.

When you are satisfied that the needle is vertical, retighten the screw carefully.



Please note: Under no circumstances should the arm tube be adjusted with the needle still in the record groove! Irreparable damage may be caused to the cantilever suspension! The arm must be lifted to make each adjustment and lowered afterwards to check it.



Fitting and connecting the cartridge

** All cartridges with half inch mounting holes can be fitted. Leaving the needle's protection cover on, fit the cartridge to the headshell using the screws supplied with the cartridge by passing one screw through each slot in the headshell (19). Do not tighten the nuts yet.

Connect the tonearm wires to the cartridge pins as follows:

| | |
|-------|----------------------------|
| white | left channel positive (L+) |
| red | right channel pos. (R+) |
| green | right channel return (R -) |
| blue | left channel return (L -) |

The full sound quality of the record player can only be achieved if the cartridge is correctly adjusted. Particular tools like the Pro-Ject alignment tool are required to accomplish this job properly.

If you are not well acquainted with the adjustment of cartridges you are advised to call upon the willing help of your Pro-Ject dealer to accomplish this task for you.



Adjusting a cartridge and tonearm calls for the greatest care in order to avoid damaging the cartridge or tonearm bearings. Leave this work to your dealer if you are in any way unsure of the necessary steps and precautions to be taken.

Maintenance and cleaning

Your record player requires little or no regular maintenance. Remove dust with a slightly moistened antistatic cloth. Never use a dry cloth because this will create static electricity which attract more dust! Antistatic cleaning fluids are available at specialist stores but must be applied sparingly to avoid damage to rubber parts. It is recommended to fit the needle cover before cleaning or maintenance is carried out to avoid damage. If the player is not used over a long period of time the drive belt can be removed to prevent unequal stretching.



Always disconnect the record player from the mains power supply as a precaution before maintenance!

Technical specifications PRO-JECT 2 Xperience SB DC / Pro-Ject 9cc Evolution

| | |
|--------------------------|--|
| Nominal speeds | 33/45 r.p.m. |
| Speed variance | 33: $\pm 0,12$ % 45: $\pm 0,28$ % |
| Wow and flutter | 33: $\pm 0,12$ % 45: $\pm 0,11$ % |
| Signal to noise | 70dB |
| Effective tonearm mass | 8g |
| Effective tonearm length | 9 " (230mm) |
| Overhang | 18mm |
| Power consumption | 4W/ >0,5W standby mode |
| Outboard power supply | 15V/ 800mA DC, universal power supply |
| Dimensions (W x H x D) | 460 x 145 x 360mm, dust cover open 460 x 400 x 445mm |
| Weight | 8 kg |

Technical specifications MM-Cartridge Ortofon 2M Silver

| | |
|----------------------------|---|
| Frequency range | 20-22.000Hz |
| Channel separation | 23dB/1kHz |
| Output voltage | 4mV |
| Recommended load impedance | 47kohms/amplifier connection – MM-input |
| Compliance/stylus type | 20 μ m/mN – elliptical |
| Recommended tracking force | 18mN |
| Weight | 7,2g |

Potential incorrect use and fault conditions

Pro-Ject turntables are manufactured to the highest standards and undergo strict quality controls before leaving the factory. Faults that may possibly occur are not necessarily due to material or production faults but can sometimes be caused by incorrect use or unfortunate circumstances. Therefore the following list of common fault symptoms is included.

The platter doesn't turn although the unit is switched on:

- The unit is not connected to the mains power supply.
- No mains at the socket.
- Drive belt is not fitted or has slipped off.

No signal through one or other channel or both channels:

- No signal contact from the cartridge to the internal tonearm wiring or from that to the arm lead or from that to the phono box or between that and the amplifier. This could be due to a faulty plug, broken wire or solder joint or simply loose plug/socket connection.
- Phono input not selected at amplifier.
- Amplifier not switched on.
- Amplifier or speakers defective or muted.
- No connection to the loudspeakers.

Strong hum on phono input:

- No earth connection from cartridge or arm or arm cable to amplifier, or earth loop.

Distorted or inconsistent sound from one or both channels:

- Record player is connected to wrong input of amplifier, or MM/MC switch incorrectly set.
- Needle or cantilever damaged.
- Wrong r.p.m., drive belt overstretched or dirty, platter bearing without oil, dirty or damaged.

Service

Should you encounter a problem which you are not able to alleviate or identify despite the above information, please contact your dealer for further advice. Only when the problem cannot be resolved there should the unit be sent to the responsible distributor in your country.

Guarantee repairs will only be effected if the unit is returned correctly packaged. For this reason we recommend keeping the original packaging.

Never return a record player without making sure that it is safely disassembled and correctly packaged in the original packaging according to the diagrams on the last page of this user guide. Please remove these parts and pack them separately: lid (10), counterweight (6), anti-skating weight (16) platter (5) and belt (3). Fit the cartridge protection cap. Insert the transport lock for the tonearm (18) prior to carefully packaging the record player.

Warranty



The manufacturer accepts no responsibility for damage caused by not adhering to these instructions for use and/or by transportation without the original packaging. Modification or change to any part of the product by unauthorized persons release the manufacturer from any liability over and above the lawful rights of the customer.

Pro-Ject Audio Systems is a Registered Trademark
of H. Lichtenegger.

This guide was produced by: Pro-Ject Audio Systems
Copyright © 2015. All rights reserved.

The information was correct at the time of going to press. The manufacturer reserves the right to make changes to the technical specification without prior notice as deemed necessary to uphold the ongoing process of technical development.

