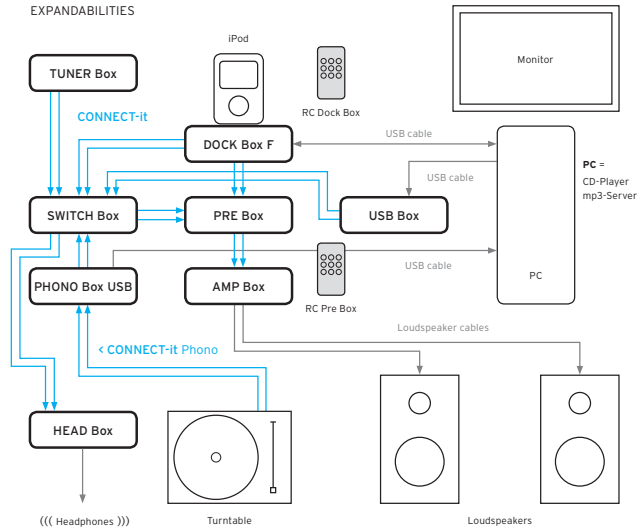
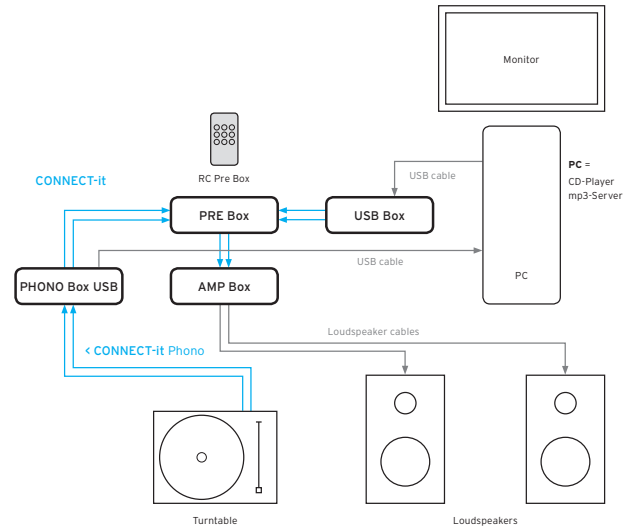


PRO-JECT **BOX**DESIGN
System: iPod ↔ PC-Connection [full loaded]



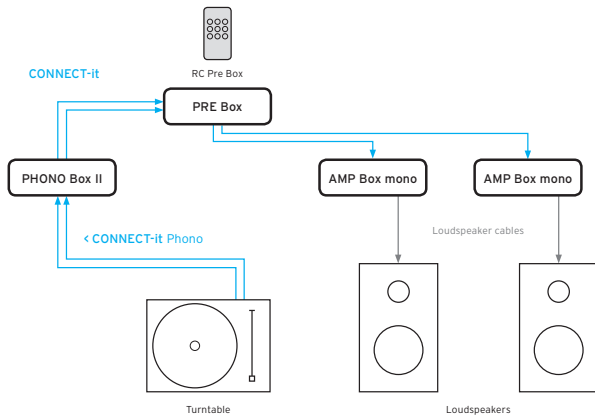
- Listen to radio
- Listen to turntable
- Using your PC as high-end CD player by the USB-Box
- Listen to iPod
- Listen and digitize your LPs and record on PC
- Using headphones

PRO-JECT **BOX**DESIGN
System: Analogue → Digitize



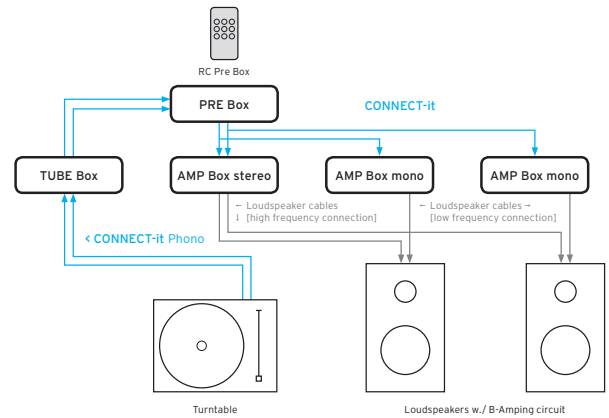
- Listen and digitize your LPs and record on PC
- Using your PC as high-end CD player by the USB-Box

PRO-JECT **BOX**DESIGN
System: Analogue Dynamic



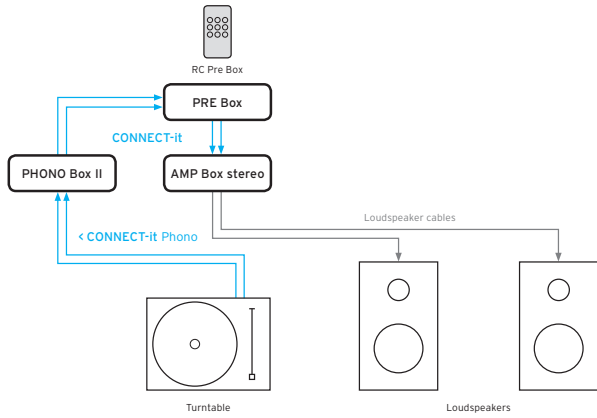
- Listen to turntable
- Two mono power amplifiers

PRO-JECT **BOX**DESIGN
System: Max. Dynamics



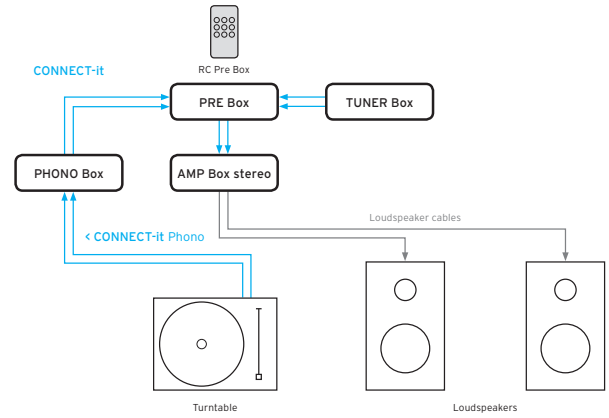
- High-end listening to turntable by valve phono-stage
- Use Bi-Amping circuit for ultimate dynamic and resolution

Pro-Ject **BOXDESIGN**
System: Phono Basic



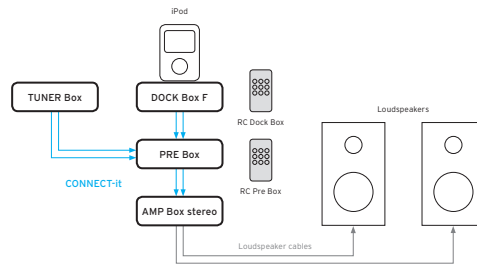
• Listen to turntable

PRO-JECT **BOXDESIGN**
System: Phono & Radio



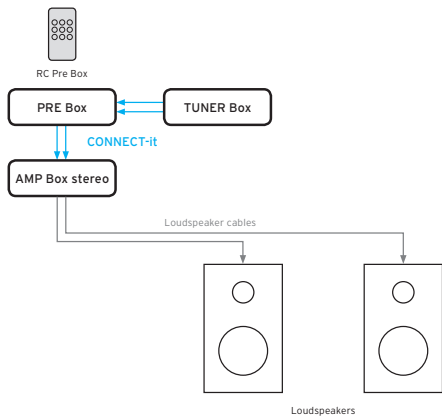
• Listen to radio
• Listen to turntable

PRO-JECT **BOXDESIGN**
System: iPod – Tuner



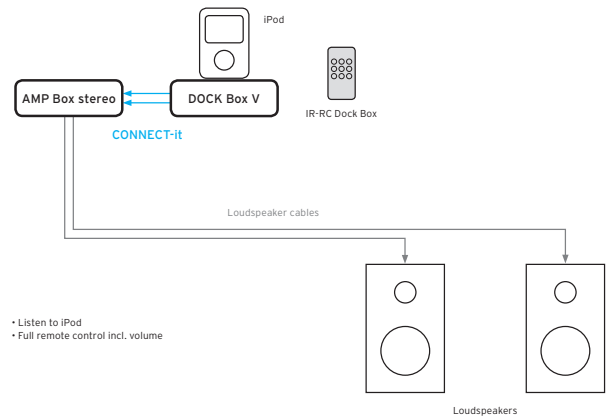
• Listen to radio
• Listen to iPod

PRO-JECT **BOXDESIGN**
System: Radio



• Listen to radio

PRO-JECT **BOXDESIGN**
System: iPod → Basic



• Listen to iPod
• Full remote control incl. volume